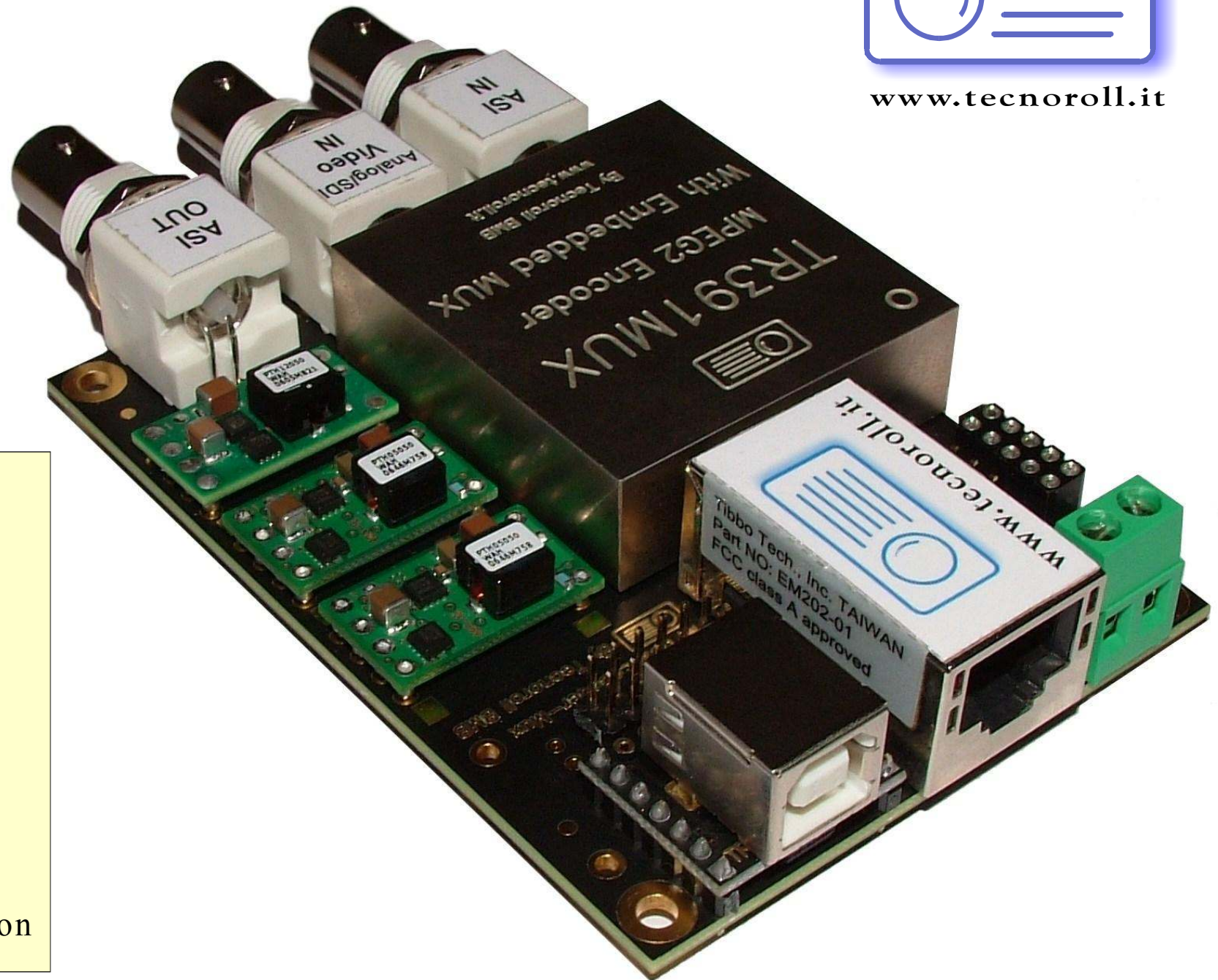


TR391MUX



www.tecnoroll.it

MPEG2 uModule Platform



All Inclusive:

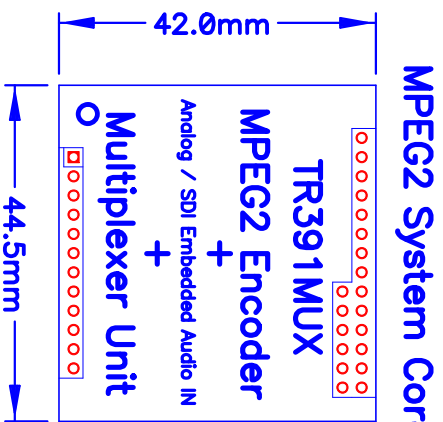
- MPEG2 Encoder
- Remultiplexer
- TS Analyzer
- Analog AV Inputs
- Digital SDI Input
- Embedded Audio
- ASI IN
- ASI OUT
- TTX Insertion
- PID Filtering
- DVB Tables Generation

TR391MUX

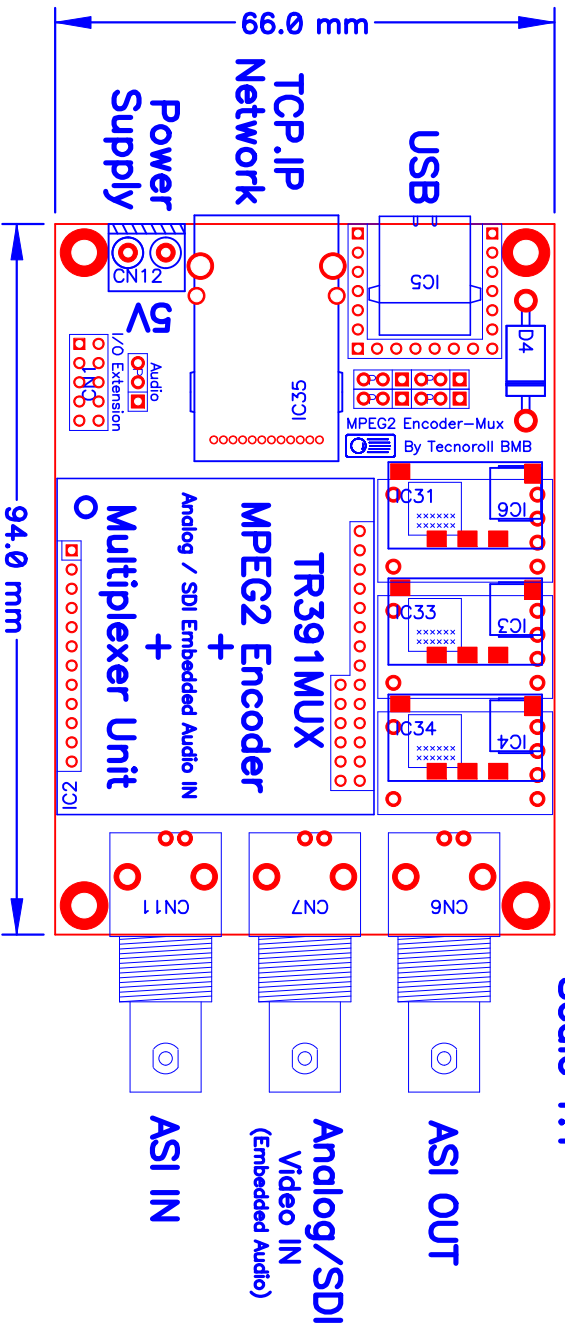
All Inclusive MPEG2 platform



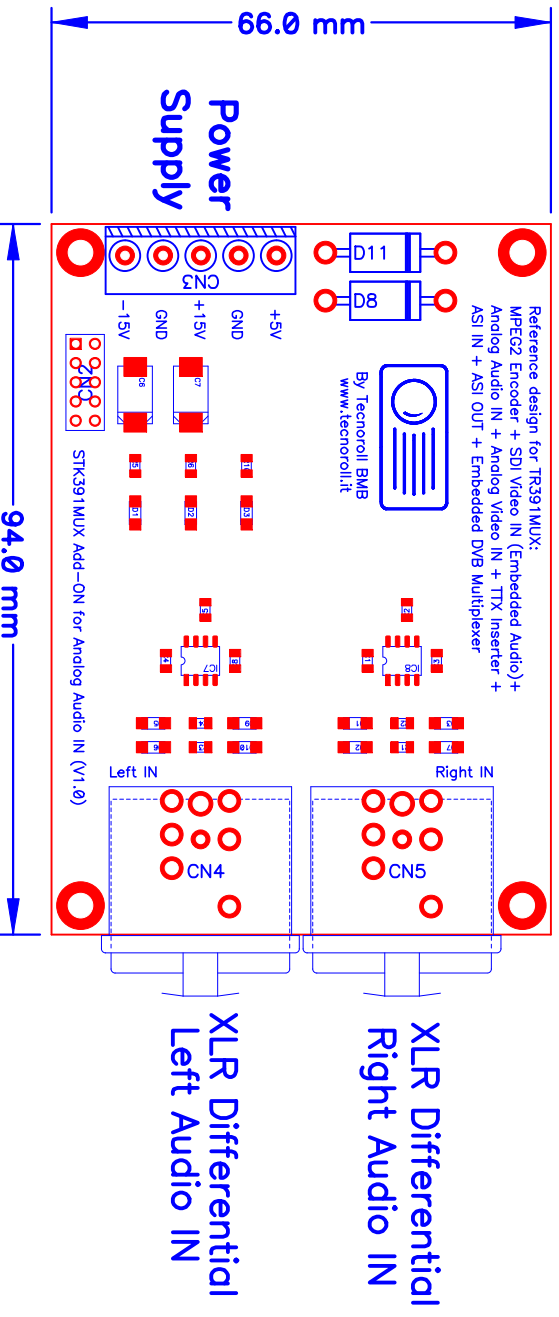
By Tecnoroll BMB



TR391MUX Starter KIT Main Board



Audio Board Starter KIT (Optional plugin)

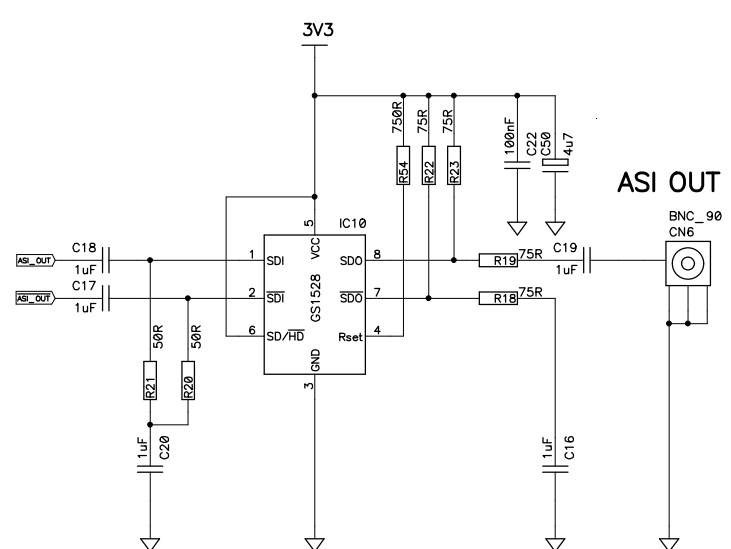
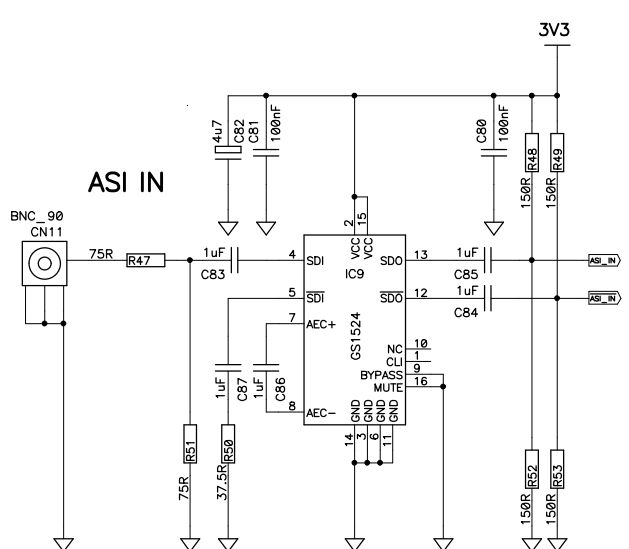
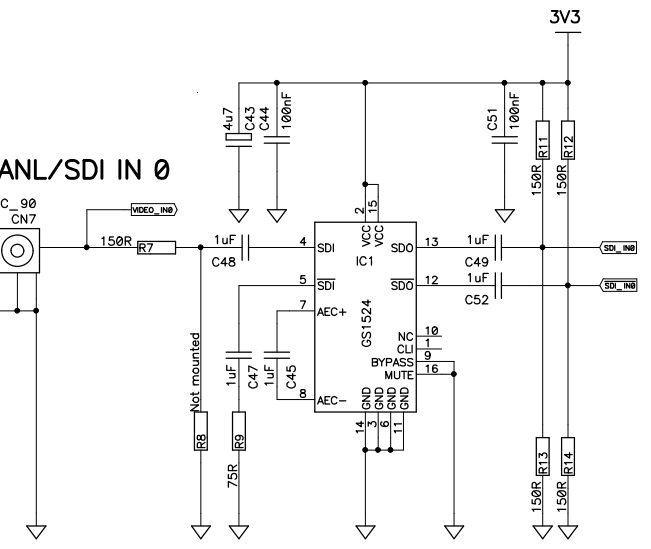
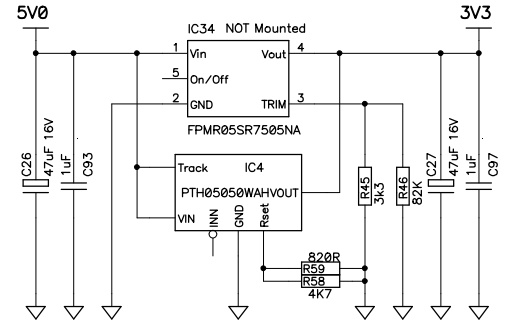
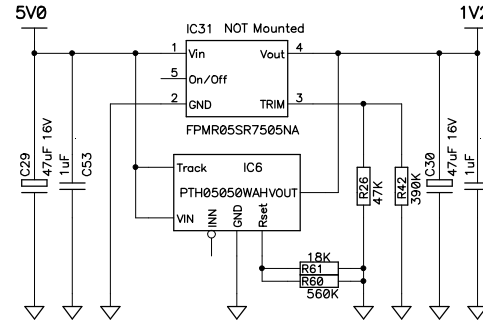
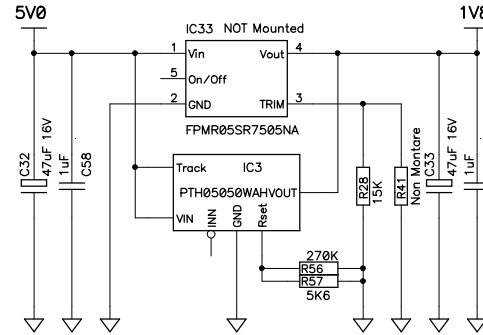
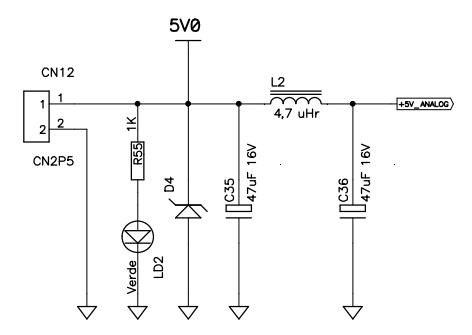
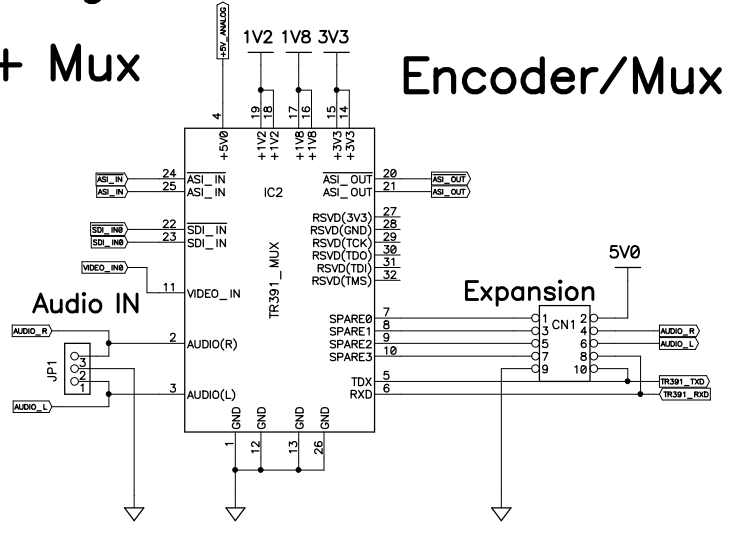
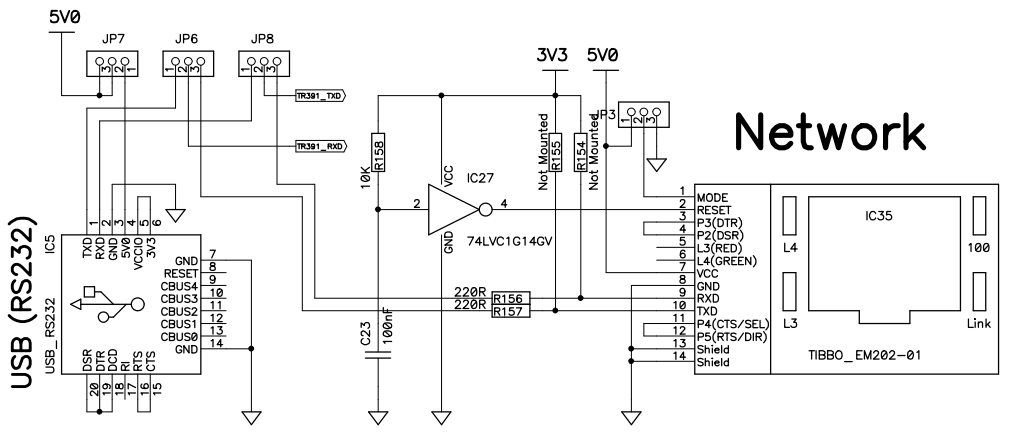


Project Name: TR391MUX Evaluation Board		By Tecnoroll BMB srl	
Rev: 1.0		Via Olona 9 Vedano Olona (VA) www.tecnoroll.it	
Date: 14-08-2009	Sheet: 1:1	Author: Lorenzo Bolla	
Note:			

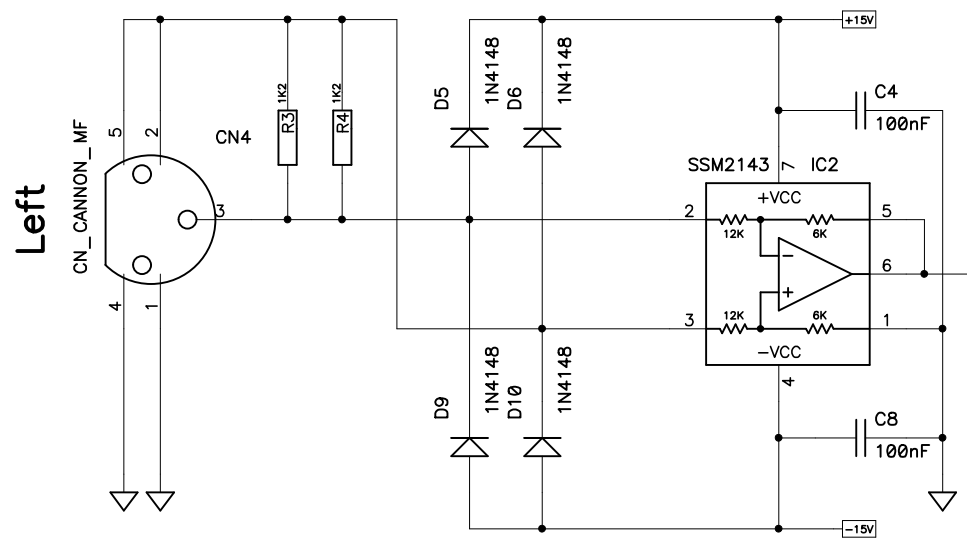
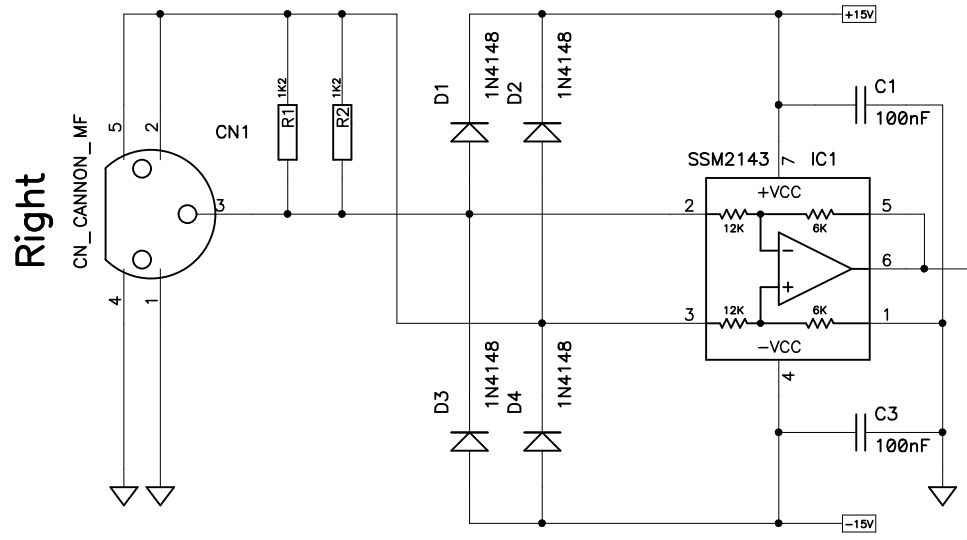
TR391MUX nanoMPEG Reference design

MPEG2 Encoder + Analog/SDI IN + Mux

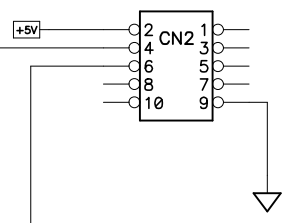
Encoder/Mux



Project Name: TR391MUX Evaluation Board		By Tecnoroll BMB srl	
Number:	Rev: 1.0	Via Olona 9 Vedano Olona (VA) www.tecnoroll.it	
Date: 14-08-2009	Sheet: 1:1	Author: Lorenzo Bolla	
Note: Example of Audio Interface			



From TR391 STK



Mounting Holes

