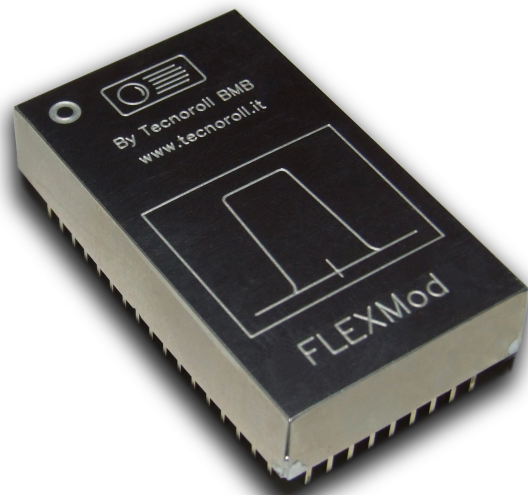




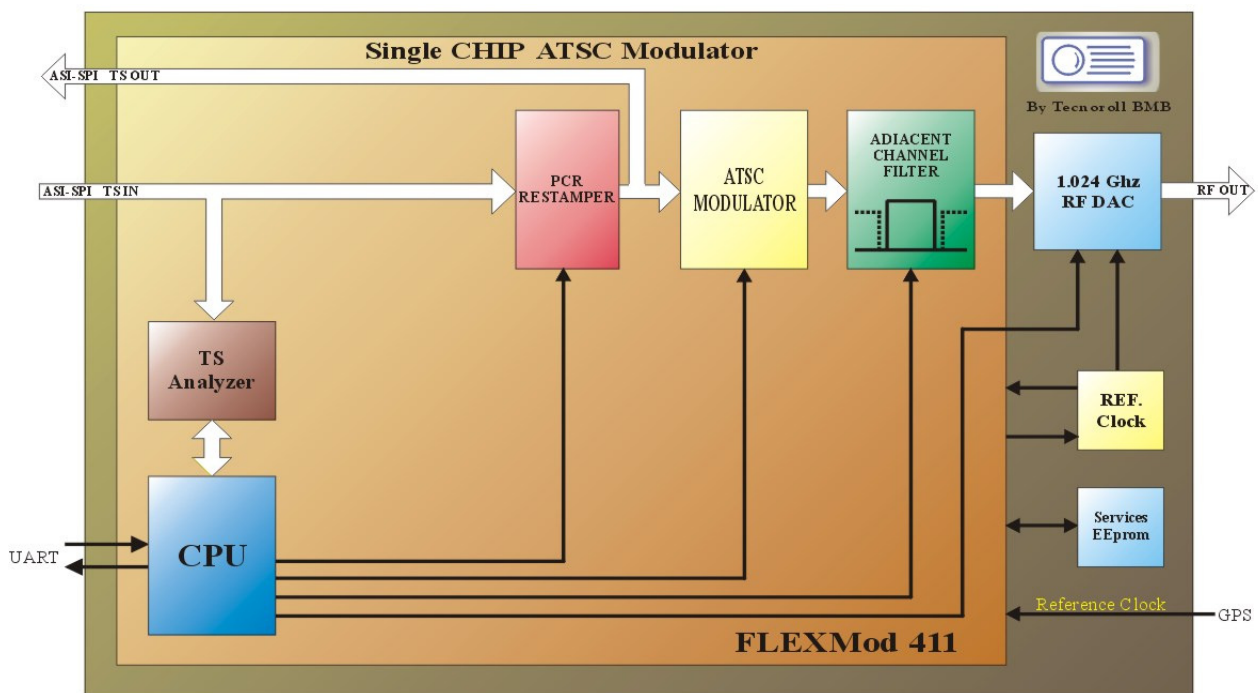
Tecnoroll BMB s.r.l.

Via Olona, 9 - 21040 Veduggio (VA)
☎ +39.0332.402595 - Fax +39.0332.402596
website: www.tecnoroll.it email: info@tecnoroll.it



FLEXMod 411

Single Chip ATSC Modulator



Distributed in Italy by:



MELCHIONI S.p.A.
Via Colletta 37 - 20135 MILANO
Tel. +39-02-57941
Fax +39-02-54134001

General Description

Compact solution for ATSC modulation.

System includes:

- ASI and SPI TS Inputs
- ASI and SPI TS Outputs
- Visualization of the Input/Output TS bandwidth
- Non volatile memory for the system configuration
- Easy configuration through asynchronous serial port with high level commands
- No need for additional programming on power-up (once the unit is configured, it works in total autonomy)
- ATSC Digital Television Standard (A/53)
- Internal oscillator locked to a GPS pps reference clock.
- Selectable RF power output up to -7dBm
- Frequency Range 0 - 300 MHz RF out through internal 1 GHz DAC

Mudulator Specification

Modulation type:	ATSC Digital Television Standard (A/53)
Constellation:	8 VSB
Spectrum:	Normal / Inverted
Output Frequency:	0-300 MHz (Internal DDS)
Output Level:	-7 dBm typical
MER:	>40 dB typical @36MHz

General Specifications

Data Input/Output:	SPI / ASI
Power Supply:	3V3, 1V8, 1V2
Power Consumption:	3,5W
Board Temperature Range:	from 0 to 70° C
Storage Temperature Range:	from -20 to +85° C
Dimensions:	29 x 49,5 x 9,5 mm
Configuration:	Realtime Configuration through Serial Port (LVTTTL)
Weight:	20 gr

Distributed in Italy by:



MELCHIONI S.p.A.
Via Colletta 37 - 20135 MILANO
Tel. +39-02-57941
Fax +39-02-54134001