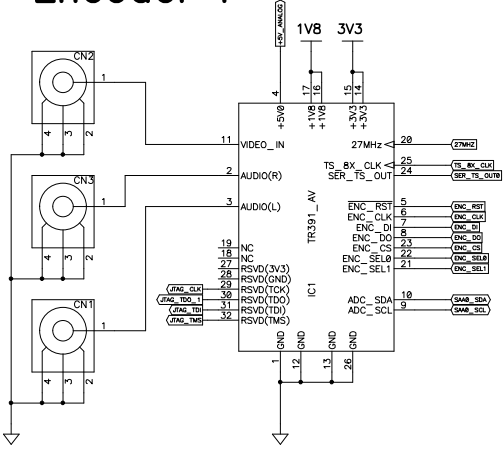
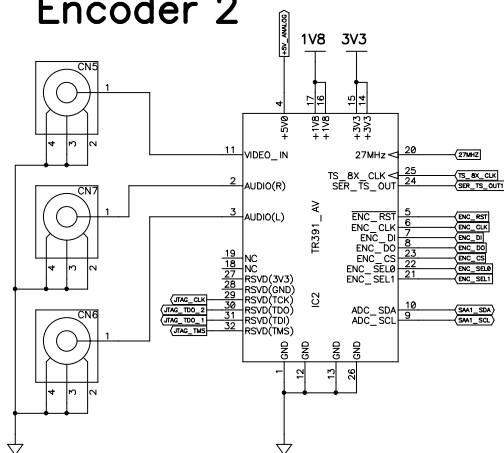




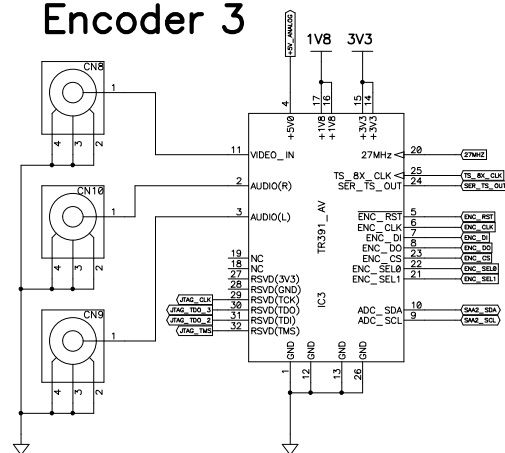
Encoder 1



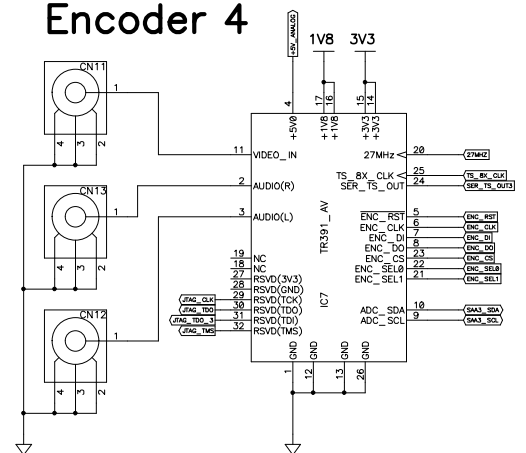
Encoder 2



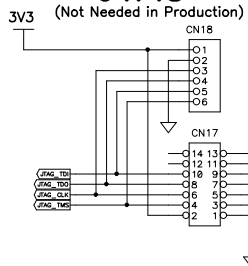
Encoder 3



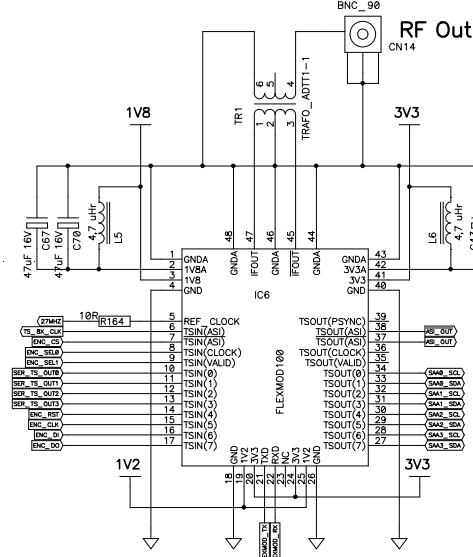
Encoder 4



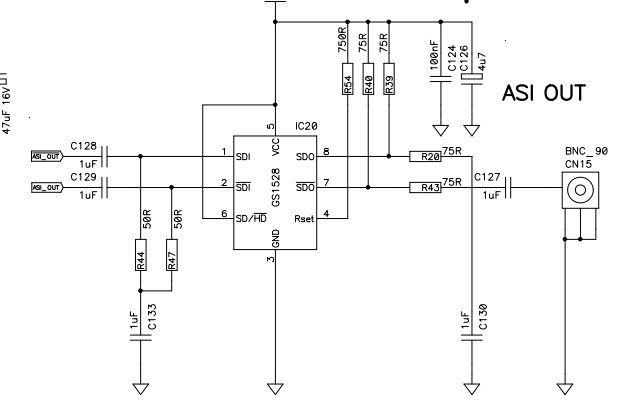
JTAG



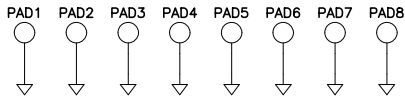
Mux & Modulator



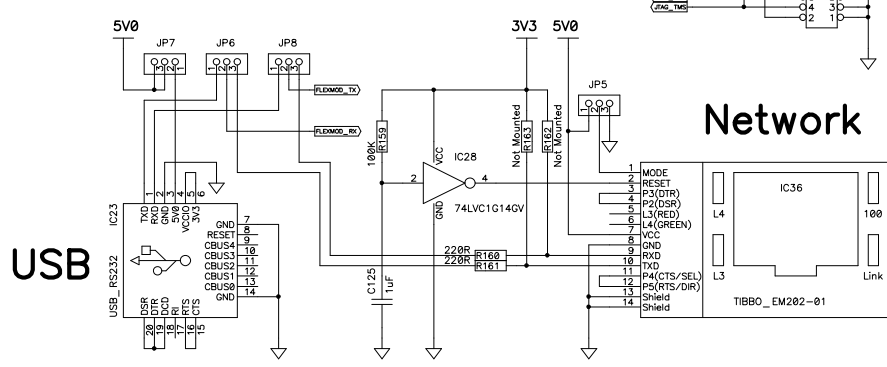
ASI Output



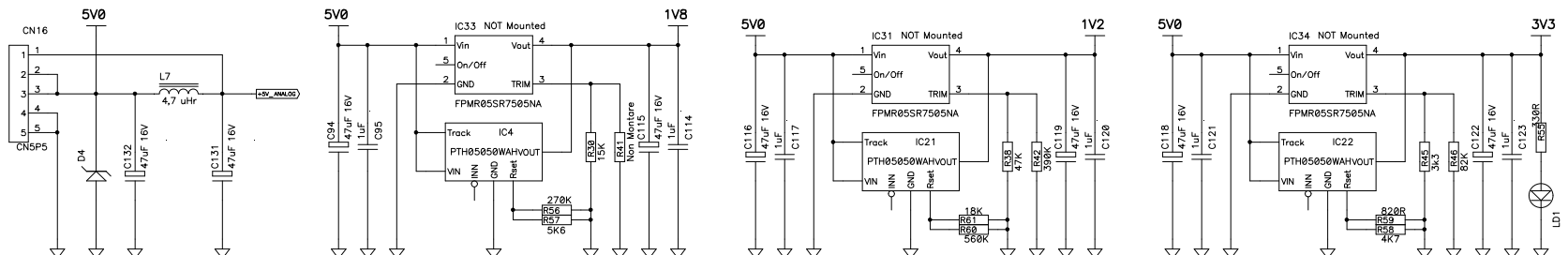
Mounting Holes



Network



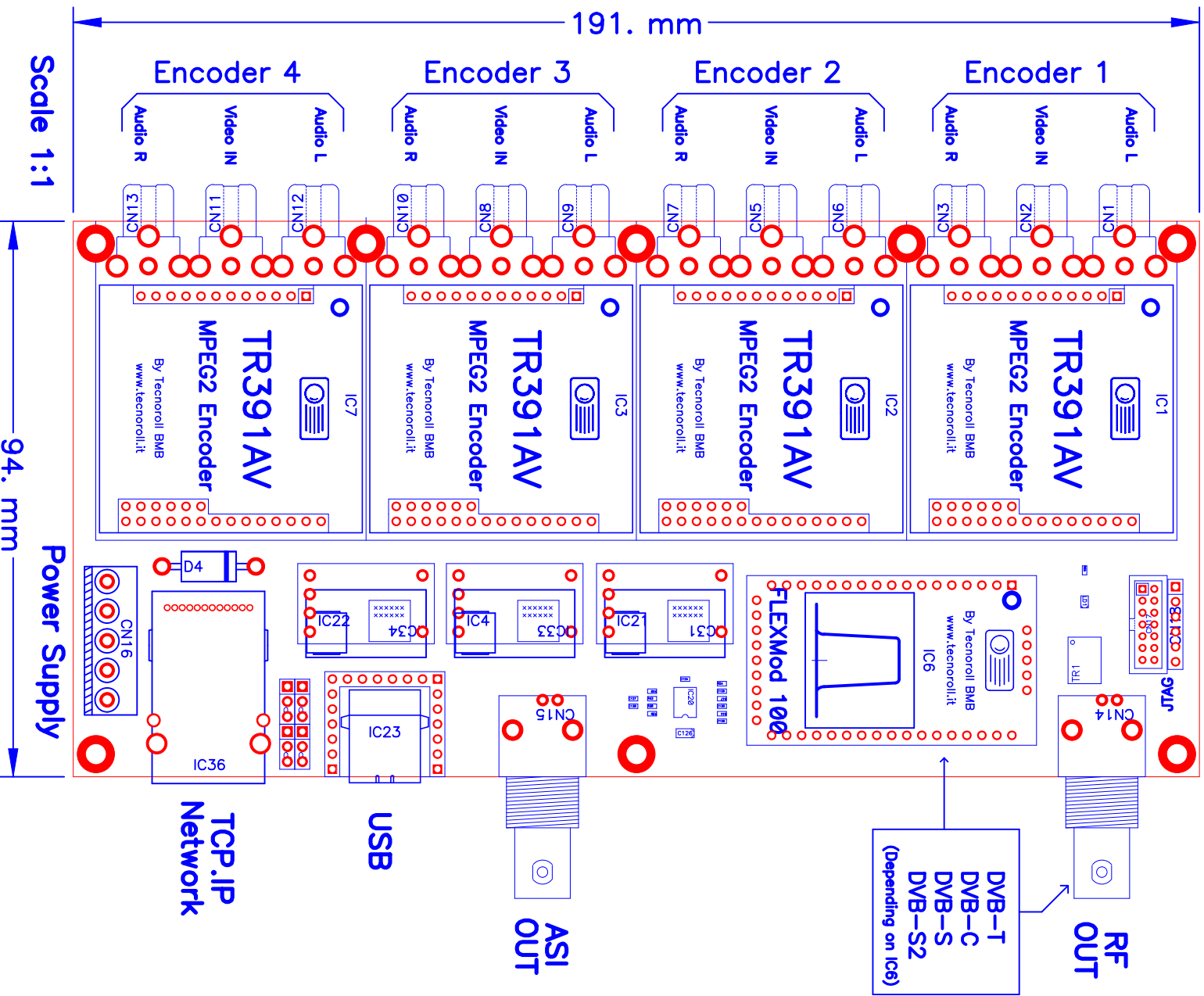
Power Supply



TR391AV + FlexMOD:

4 Muxed MPEG2 Encoder Reference Design

 By Technoroll BMB



TR391AV + FlexMOD:

4 Muxed MPEG2 Encoder Reference Design

 **By Technoroll BMB**

