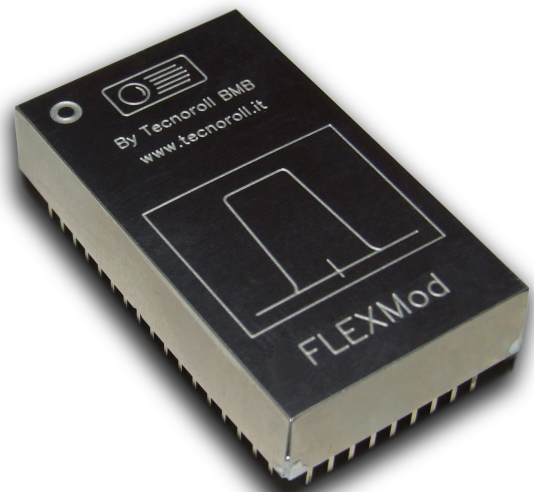




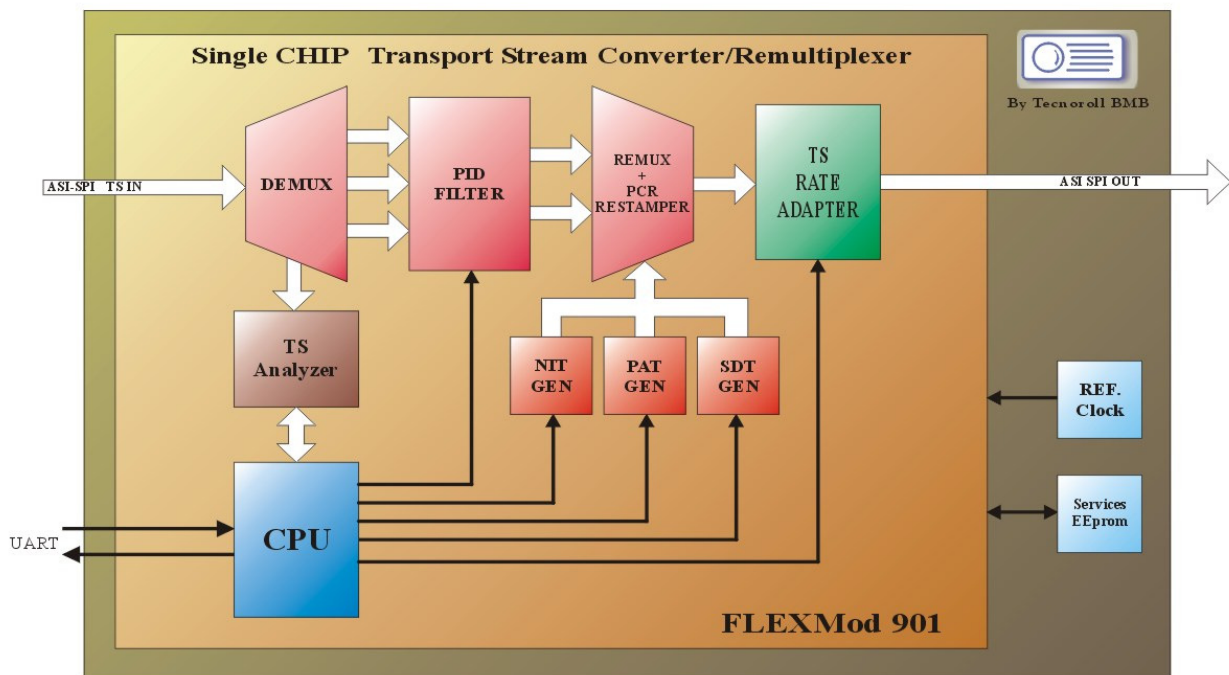
Tecnoroll BMB s.r.l.

Via Olona, 9 - 21040 Veduggio Olona (VA)
☎ +39.0332.402595 - Fax +39.0332.402596
website: www.tecnoroll.it email: info@tecnoroll.it



FLEXMod 901

Transport Stream Converter/Remultiplexer



Distributed in Italy by:



MELCHIONI S.p.A.
Via Colletta 37 - 20135 MILANO
Tel. +39-02-57941
Fax +39-02-54134001

General Description

Compact solution for DVB-C/S/T to DVB-C/S/T Transport Stream Conversion.

System includes:

- ASI and SPI TS Inputs
- ASI and SPI TS Outputs
- Automatic recognition, analysis and Demultiplexing of the incoming services
- Visualization of the Input/Output TS bandwidth
- Arbitrary selection of the Output TS Rate
- Selection and removal of the unwanted services
- QoS (Quality of Service) function for the selected services
- LCN (Logical Channel Number) Insertion for the selected services
- NIT (Network Information Table) insertion for a correct Bouquet generation
- Support Service-ID Remapping
- Support Transport-Stream-ID Remapping
- Support Original-Network-ID Remapping
- Support Control-Access-Flags & Descriptors Removal for the DE-Encrypted Services
- Automatic service monitoring and PID tracking for the desired services
- Embedded Remultiplexer for the DVB-T TS reconstruction
- PCR restamper for a correct timing reconstruction
- Non volatile memory for the system configuration
- Easy configuration through asynchronous serial port with high level commands
- No need for additional programming on power-up (once the unit is configured, it works in total autonomy)

General Specifications

Data Input/Output:	SPI / ASI
Power Supply:	3V3, 1V8, 1V2
Power Consumption:	2,5W
Board Temperature Range:	from 0 to 70° C
Storage Temperature Range:	from -20 to +85° C
Dimensions:	29 x 49,5 x 9,5 mm
Configuration:	Realtime Configuration through Serial Port (LVTTTL)
Weight:	20 gr

Distributed in Italy by:



MELCHIONI S.p.A.
Via Colletta 37 - 20135 MILANO
Tel. +39-02-57941
Fax +39-02-54134001