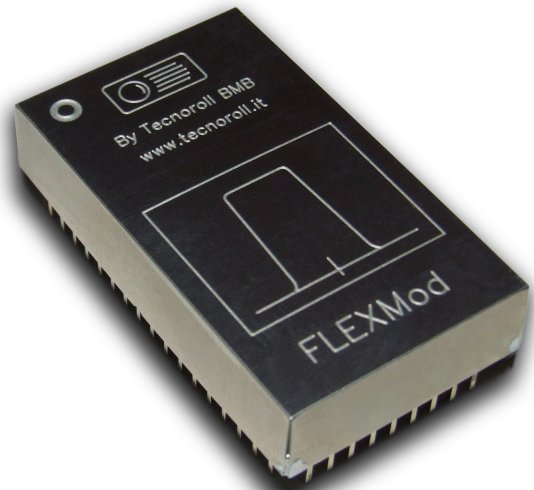




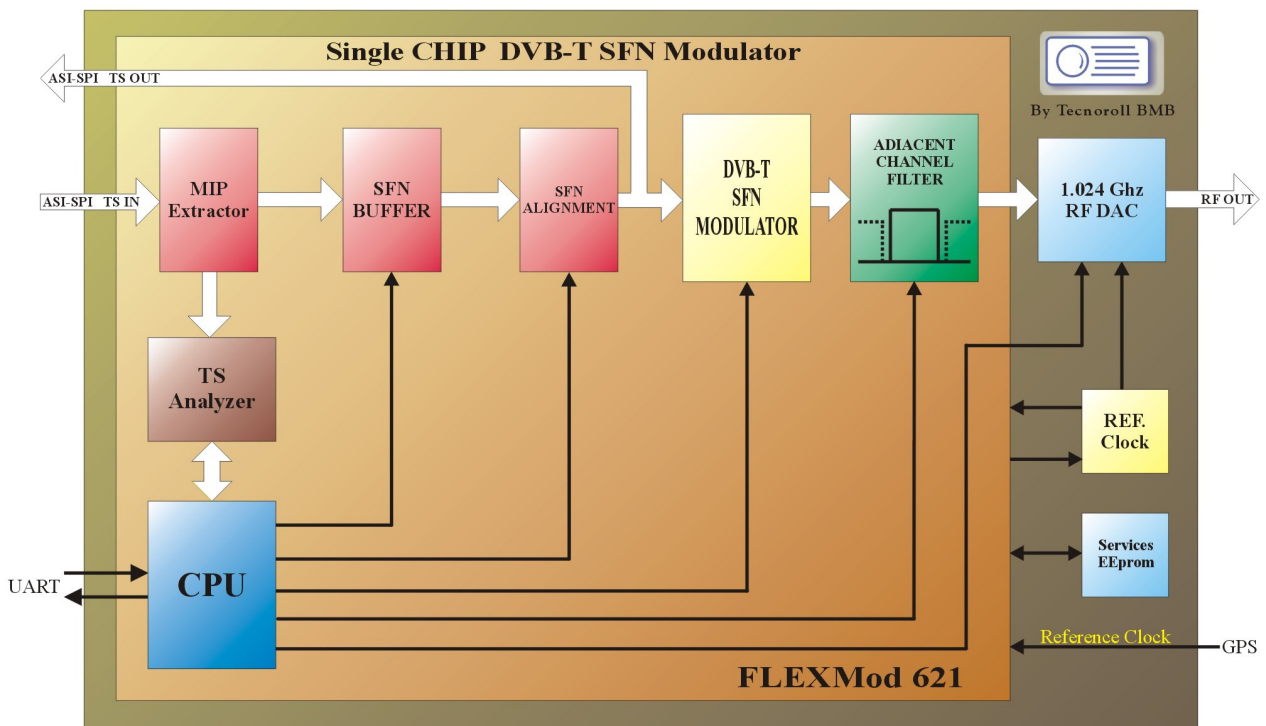
Tecnoroll BMB s.r.l.

Via Olona, 9 - 21040 Veduggio Olona (VA)
☎ +39.0332.402595 - Fax +39.0332.402596
website: www.tecnoroll.it email: info@tecnoroll.it



FLEXMod 621

Single Frequency Network (SFN) DVB-T Modulator



Distributed in Italy by:



MELCHIONI S.p.A.
Via Colletta 37 - 20135 MILANO
Tel. +39-02-57941
Fax +39-02-54134001

General Description

Compact solution for DVB-T SFN modulation.

System includes:

- 2 ASI TS Inputs
- 1 ASI TS Outputs
- Non volatile memory for the system configuration
- Easy configuration through asynchronous serial port with high level commands
- No need for additional programming on power-up (once the unit is configured, it works in total autonomy)
- COFDM Modulator : DVB-T/H ETSI EN 300 744 V1.5.1
- Digital reprogrammable filters (Precorrector).
- Automatic extraction and management of MIP Functions.
- Programmable Cell-ID and others H-modes in both Local or Remote mode.
- Individually MIP addressable through unique assignment of a TX-ID Number
- SubNetwork Capability enabling the DVB-T/SFN to DVB-T/SFN Repetitor mode
- Internal oscillator locked to a GPS pps reference clock.
- Selectable RF power output up to -7dBm
- Frequency Range 0 - 50 MHz RF out through internal 1 GHz DAC

Modulator Specification

Modulation type:	COFDM DVB-T (ETSI EN 300 744)
Channel Bandwidth:	6 – 7 – 8 MHz
Carriers:	2K -4K– 8K
Hierarchy:	Alpha 0 – 2 - 4
Constellation:	QPSK 16QAM 64QAM
FEC:	1/2 2/3 3/4 5/6 7/8
Guard Interval:	1/4 1/8 1/16 1/32
Spectrum:	Normal / Inverted
Output Frequency:	0-50 MHz (Internal DDS)
Output Level:	-7 dBm typical
MER:	>49 dB typical @36MHz

General Specifications

Data Input/Output:	SPI / ASI
Power Supply:	3V3, 1V8, 1V2
Power Consumption:	3,5W
Board Temperature Range:	from 0 to 70° C
Storage Temperature Range:	from -20 to +85° C
Dimensions:	29 x 49,5 x 9,5 mm
Configuration:	Realtime Configuration through Serial Port (LVTTTL)
Weight:	20 gr

Distributed in Italy by:



MELCHIONI S.p.A.
Via Colletta 37 - 20135 MILANO
Tel. +39-02-57941
Fax +39-02-54134001