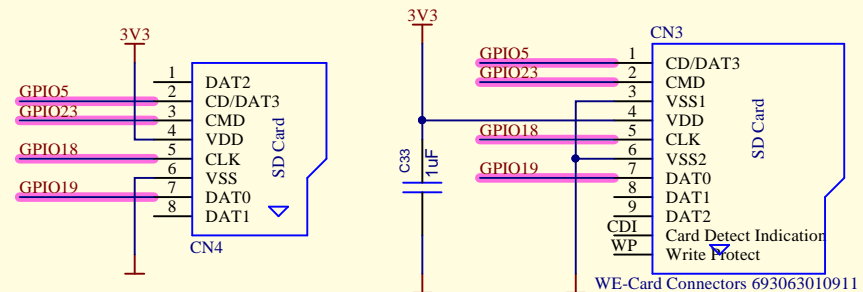
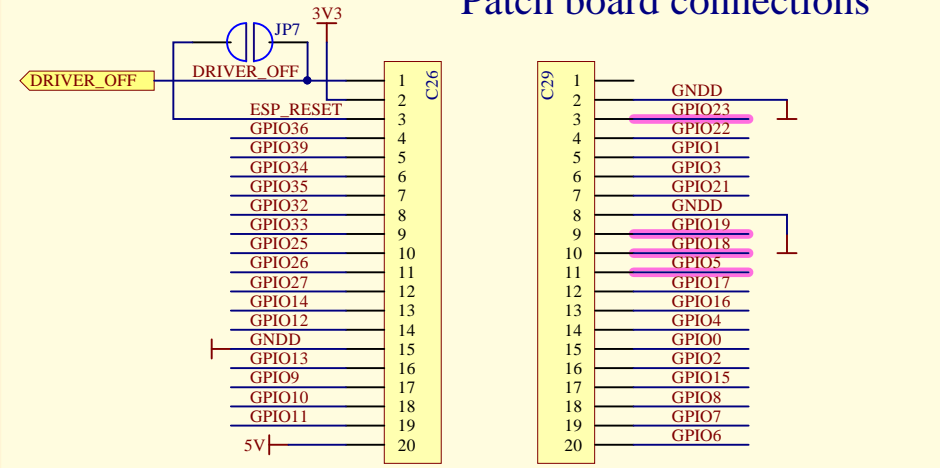


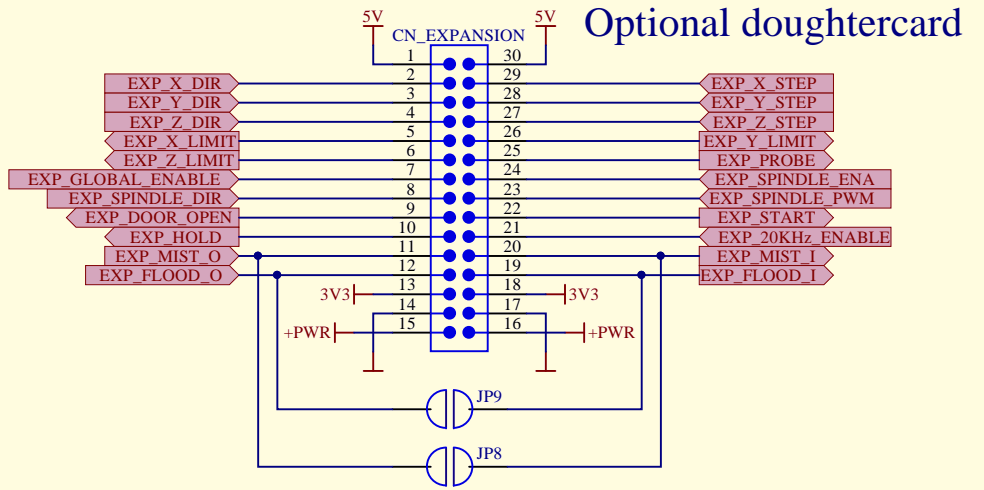
Main ESP32-CPU & SD-Card



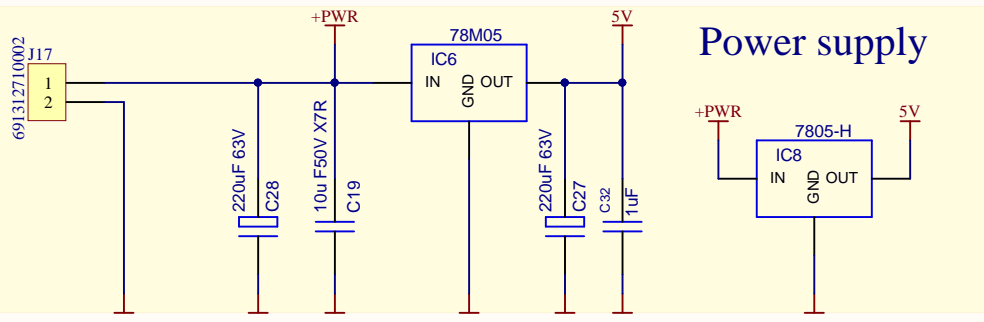
Patch board connections



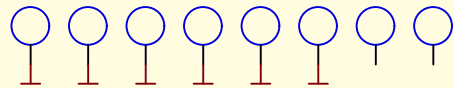
Optional daughtercard



Power supply

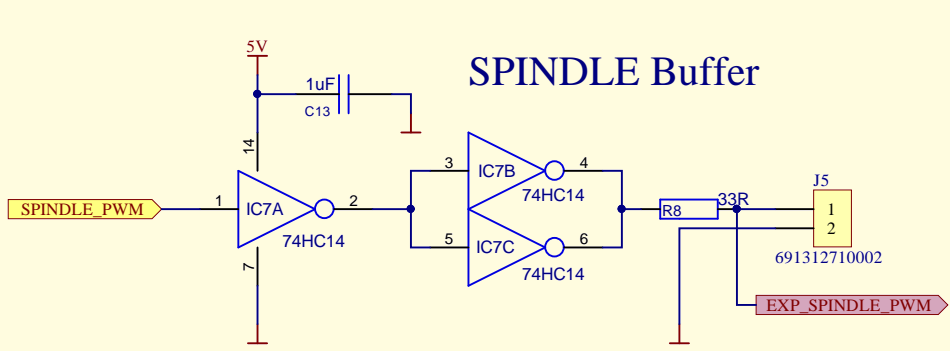
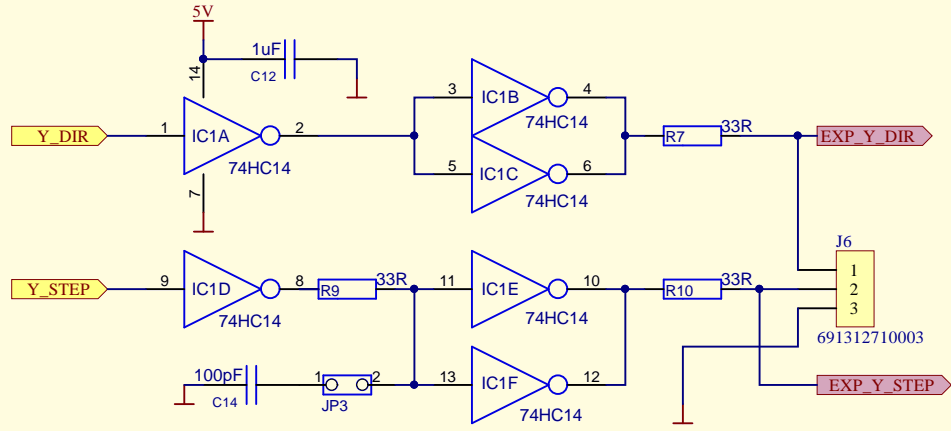
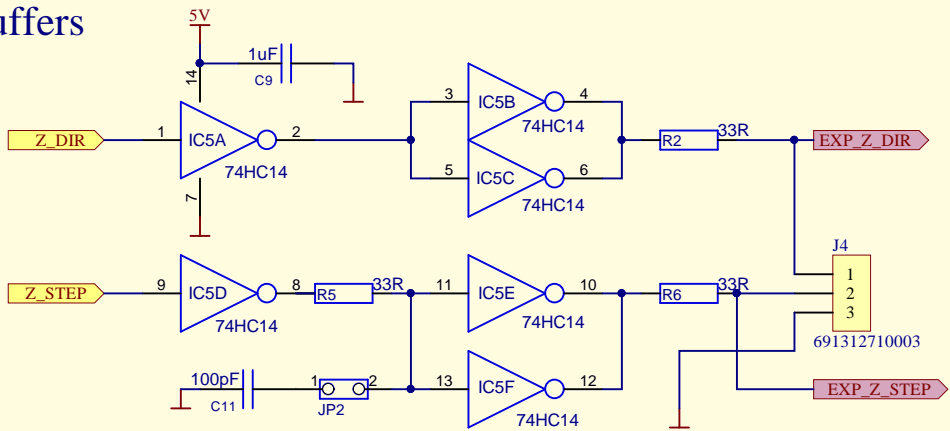
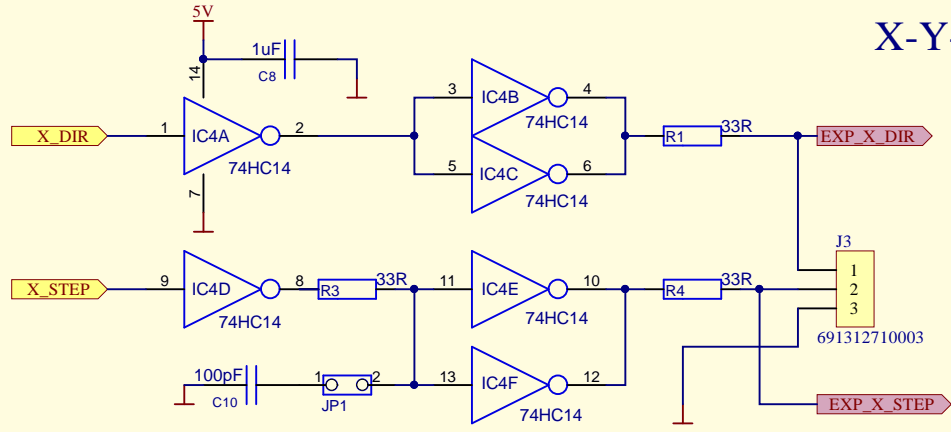


Mounting holes

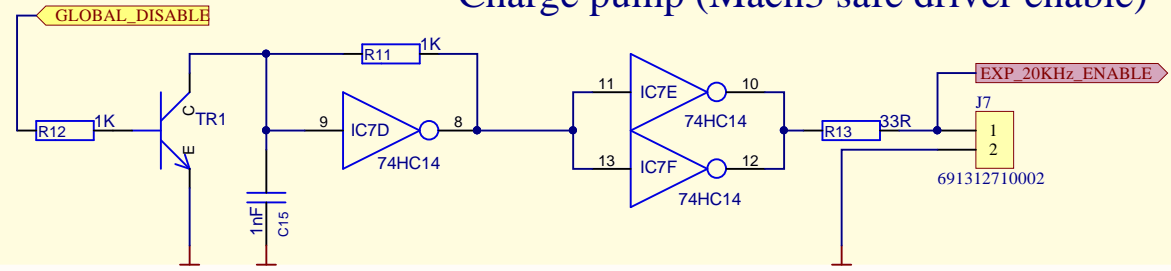


Title ESP32 CNC Mainboard			HAM Radio & other Hobby projects ITALY	IW2EAX
Size: A4	Author: Lorenzo	Revision: 1.0		
Date: 14/01/2019	Time: 18:15:24	Sheet 1 of 3		
Note: Main CPU				

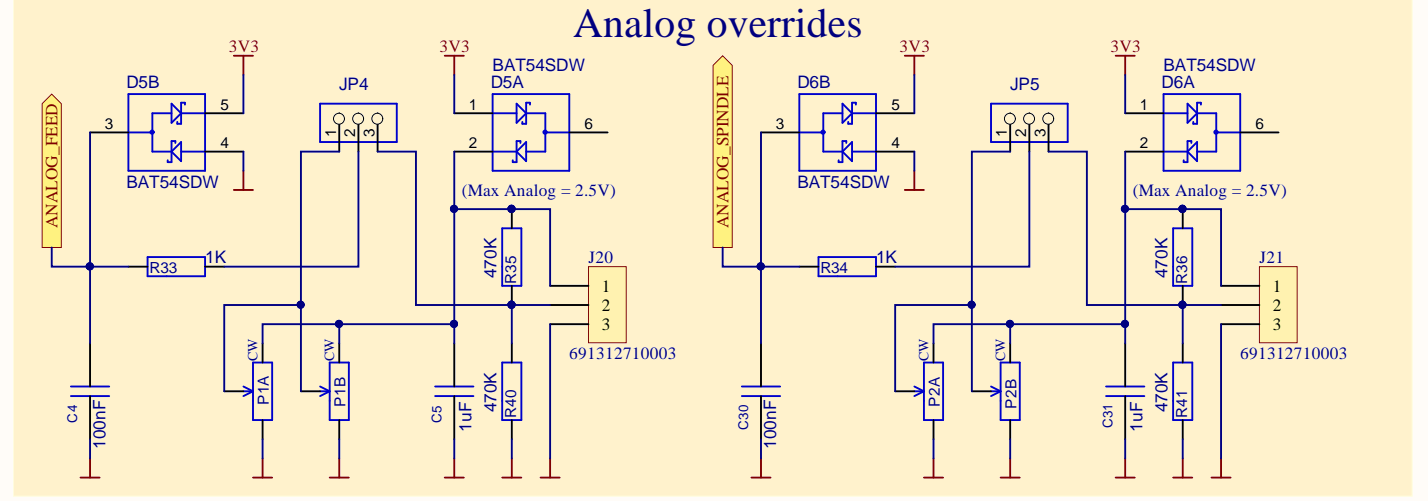
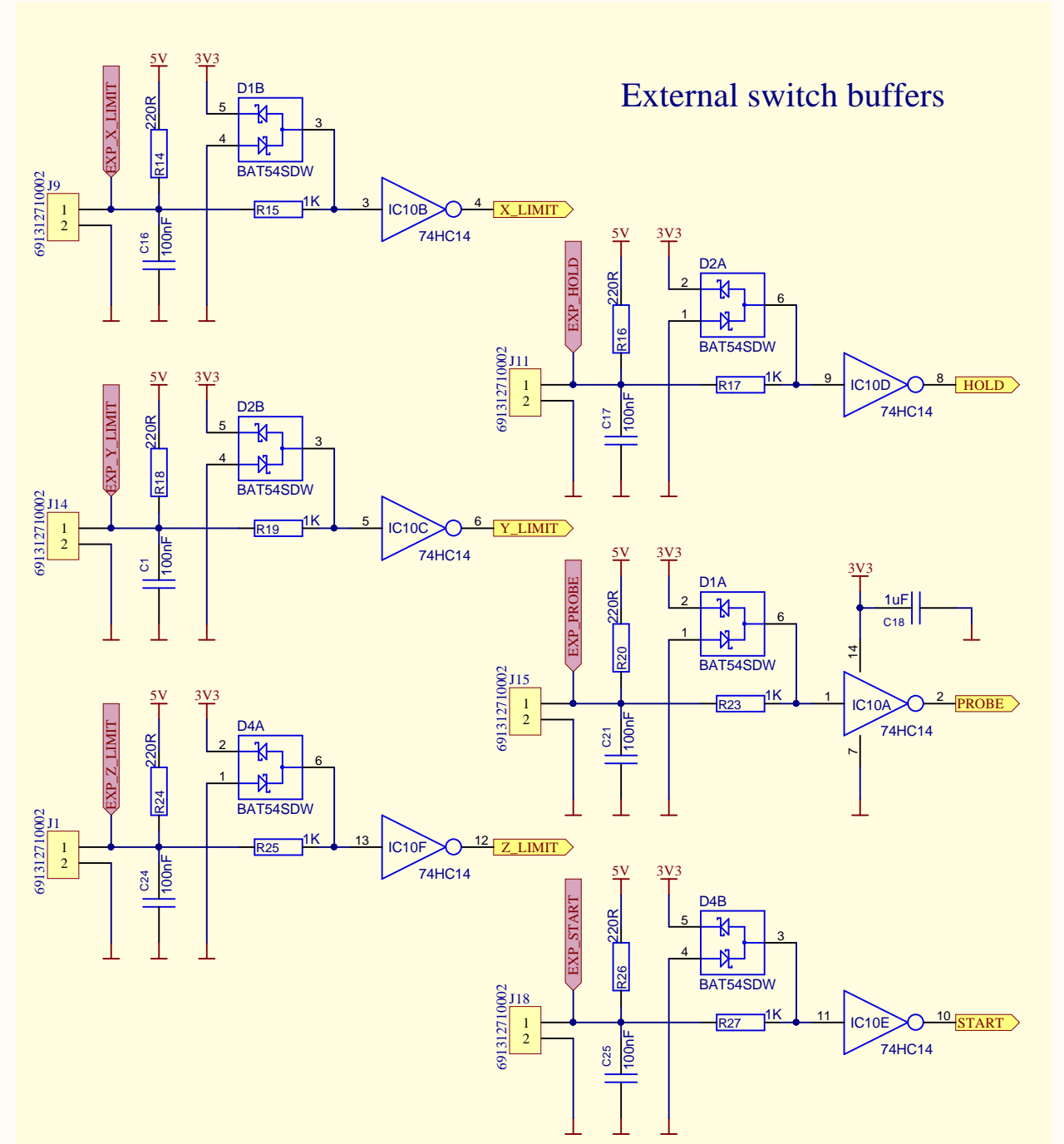
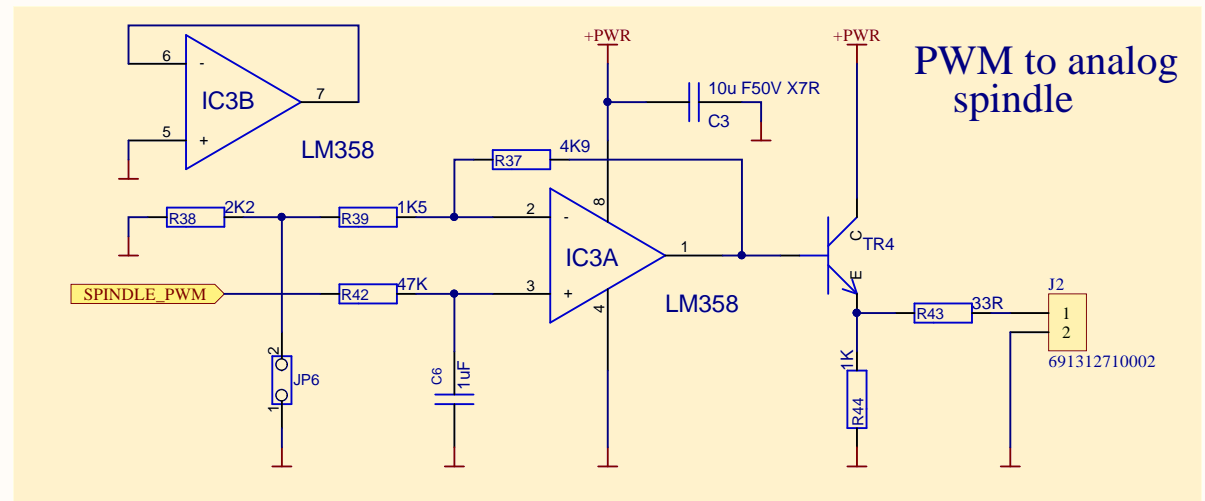
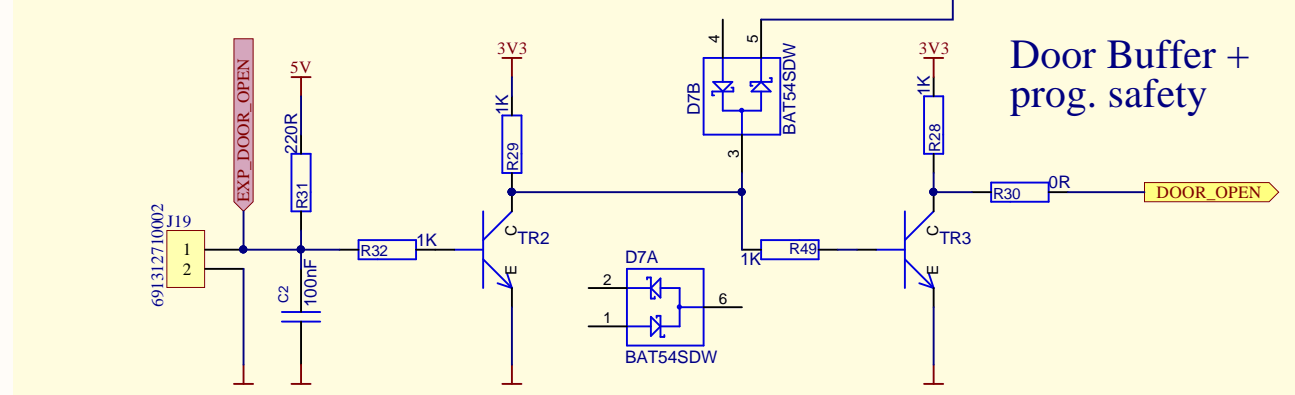
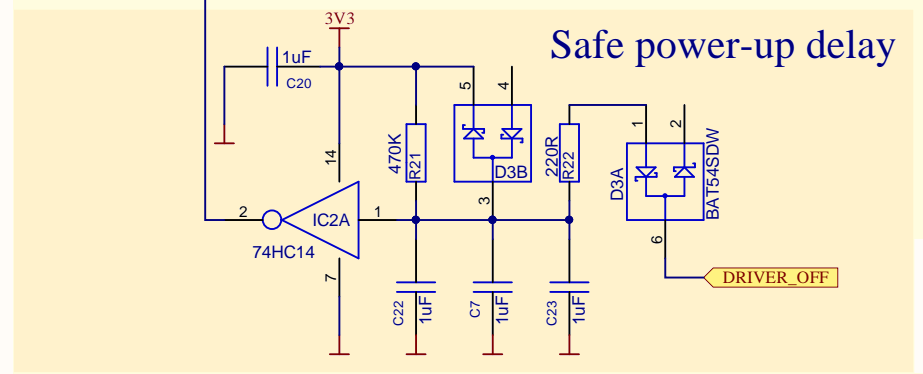
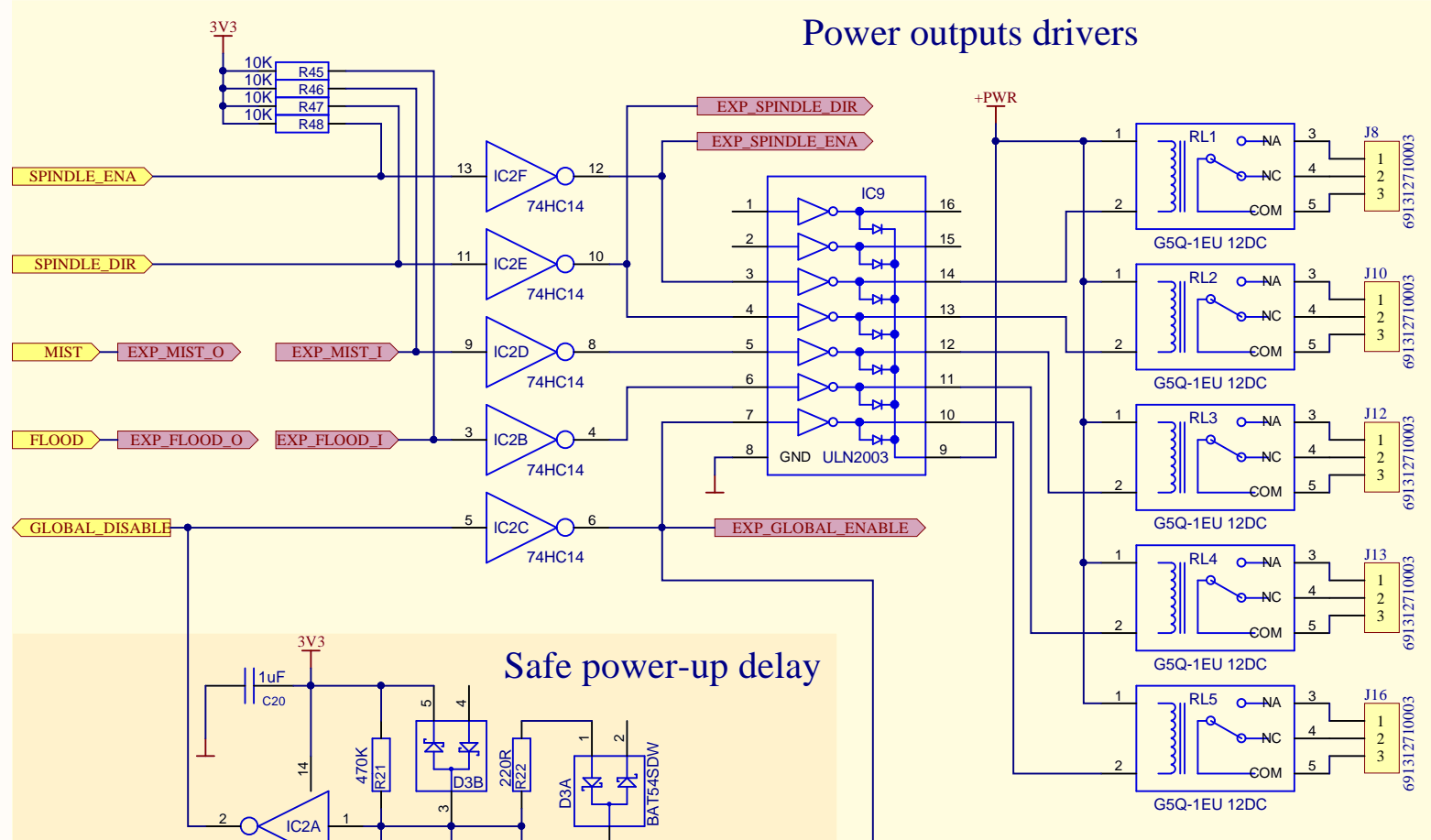
X-Y-Z Buffers

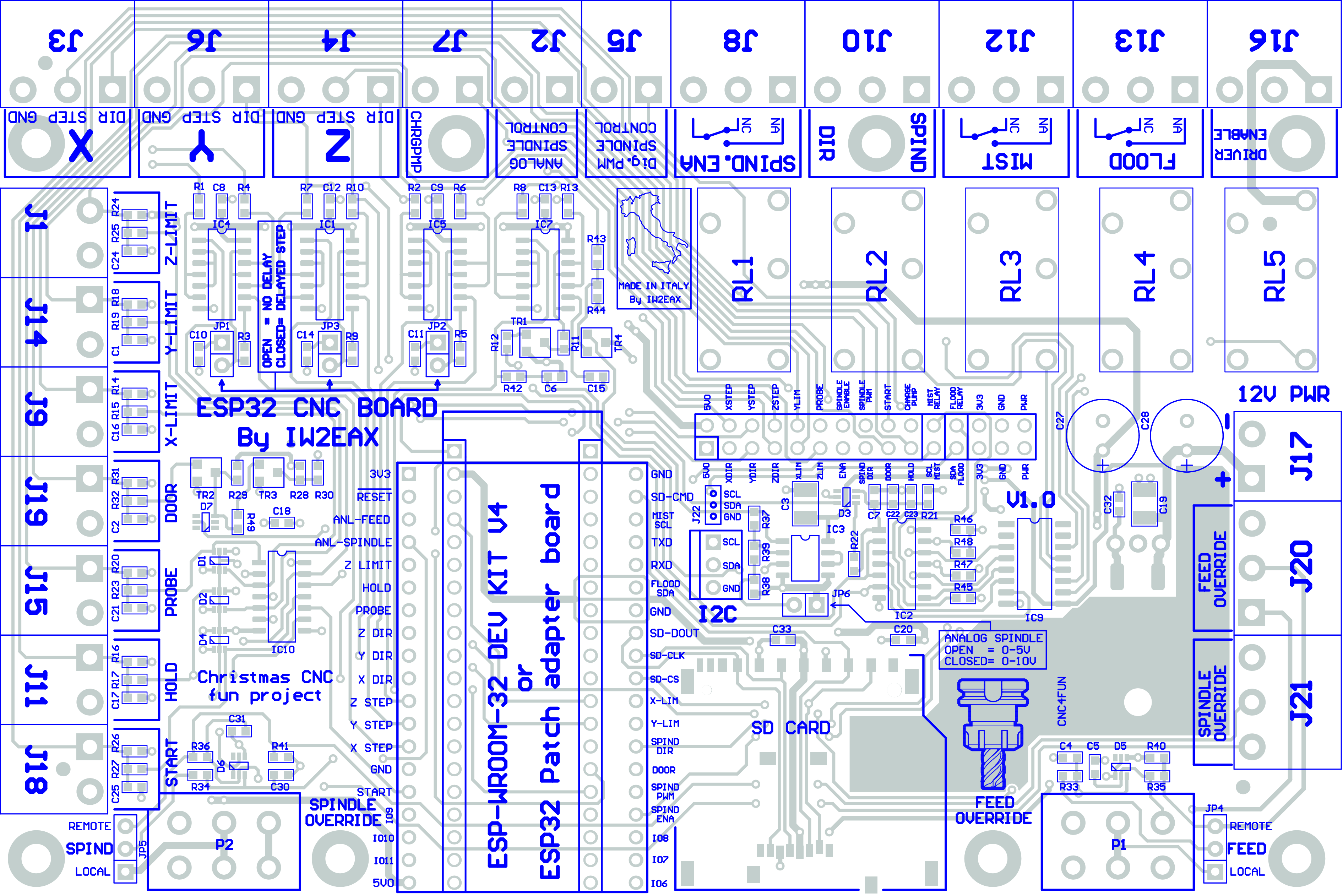


Charge pump (Mach3 safe driver enable)



Title ESP32 CNC Mainboard			HAM Radio & other Hobby projects ITALY	IW2EAX
Size: A4	Author: Lorenzo	Revision: *		
Date: 14/01/2019	Time: 18:15:24	Sheet 2 of 3		
Note: I/O Buffers				





ESP32 CNC BOARD
By IW2EAX

Christmas CNC
fun project



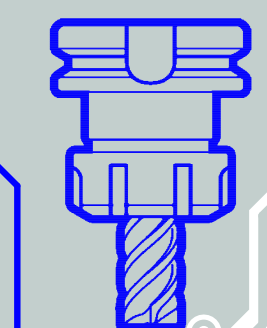
ESP-WROOM-32 DEV KIT V4
or
ESP32 Patch adapter board

REMOTE SPIND LOCAL

REMOTE FEED LOCAL

ANALOG SPINDLE
OPEN = 0-5V
CLOSED= 0-10V

OPEN = NO DELAY
CLOSED= DELAYED STEP



FEED
OVERRIDE

SPINDLE
OVERRIDE

+

-

FEED
OVERRIDE

+

-

- 5V0
- XSTEP
- YSTEP
- ZSTEP
- YLIM
- PROBE
- SPINDLE ENABLE
- SPINDLE PAIR
- START
- CHARGE PUMP
- MIST RELAY
- FLOOD RELAY
- 3U3
- GND
- PAR
- J22
- SCL
- SDA
- GND
- R37
- C3
- D3
- R22
- R38
- R39
- R37
- R38
- R39
- R40
- R41
- R42
- R43
- R44
- R45
- R46
- R47
- R48
- R49
- IC3
- JP6
- IC2
- IC9
- C20
- C27
- C28
- C19
- C32
- C33
- IC10
- IC4
- IC1
- IC5
- IC7
- TR1
- TR2
- TR3
- TR4
- D1
- D2
- D4
- D6
- D7
- R1
- R2
- R3
- R4
- R5
- R6
- R7
- R8
- R9
- R10
- R11
- R12
- R13
- R14
- R15
- R16
- R17
- R18
- R19
- R20
- R21
- R22
- R23
- R24
- R25
- R26
- R27
- R28
- R29
- R30
- R31
- R32
- R33
- R34
- R35
- R36
- R39
- R40
- R41
- R42
- R43
- R44
- R45
- R46
- R47
- R48
- R49
- C1
- C2
- C4
- C5
- C6
- C8
- C9
- C10
- C11
- C12
- C13
- C14
- C15
- C16
- C17
- C18
- C19
- C20
- C21
- C22
- C23
- C24
- C25
- C26
- C27
- C28
- C30
- C31
- C32
- C33
- JP1
- JP2
- JP3
- JP4
- JP5
- JP6
- J1
- J2
- J3
- J4
- J5
- J6
- J7
- J8
- J9
- J10
- J11
- J12
- J13
- J14
- J15
- J16
- J17
- J18
- J19
- J20
- J21

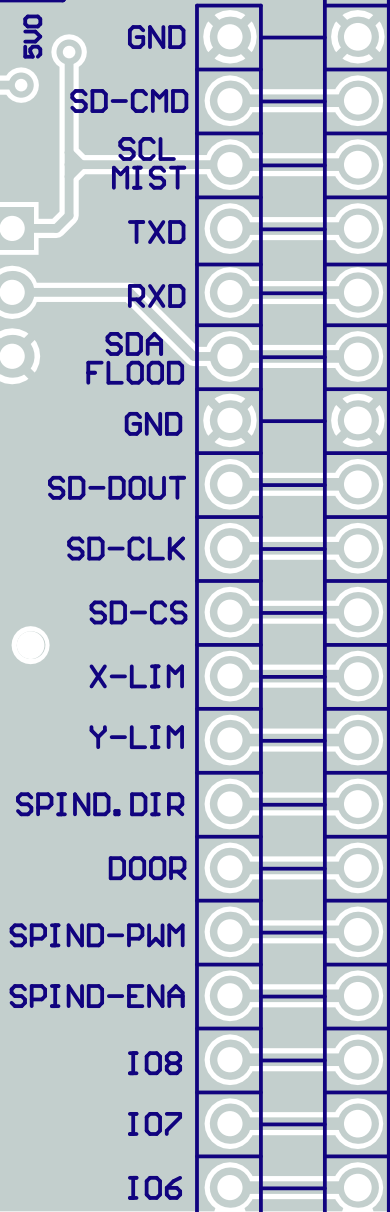
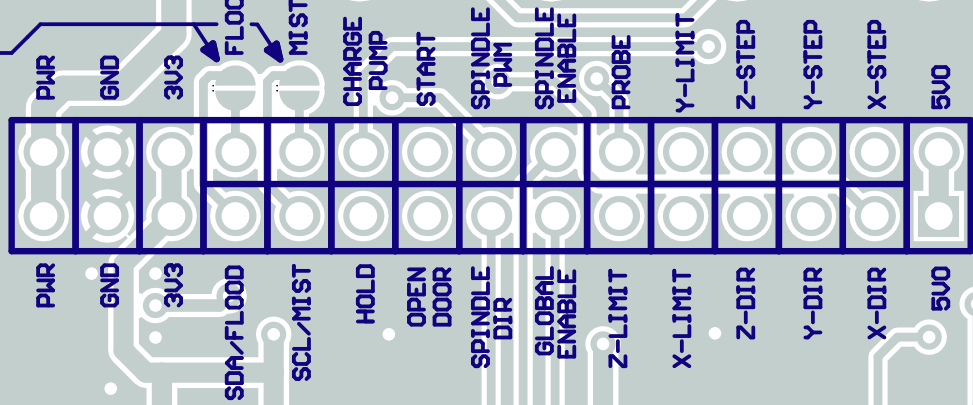
ESP32 CNC BOARD V1.0

By IW2EAX

WARNING:
 IT IS VITAL TO REMEMBER THAT, SINCE CNCs ARE DANGEROUS IF NOT PROPERLY USED, ONLY SKILLED PEOPLE WHO ARE ALREADY FAMILIAR WITH THESE MACHINES AND DUTIFULLY TRAINED TO USE THEM AND ALL THE CONNECTED ELECTRONICS SHOULD BE ALLOWED TO USE THIS HARDWARE AND SOFTWARE PROJECT.

WARNING:

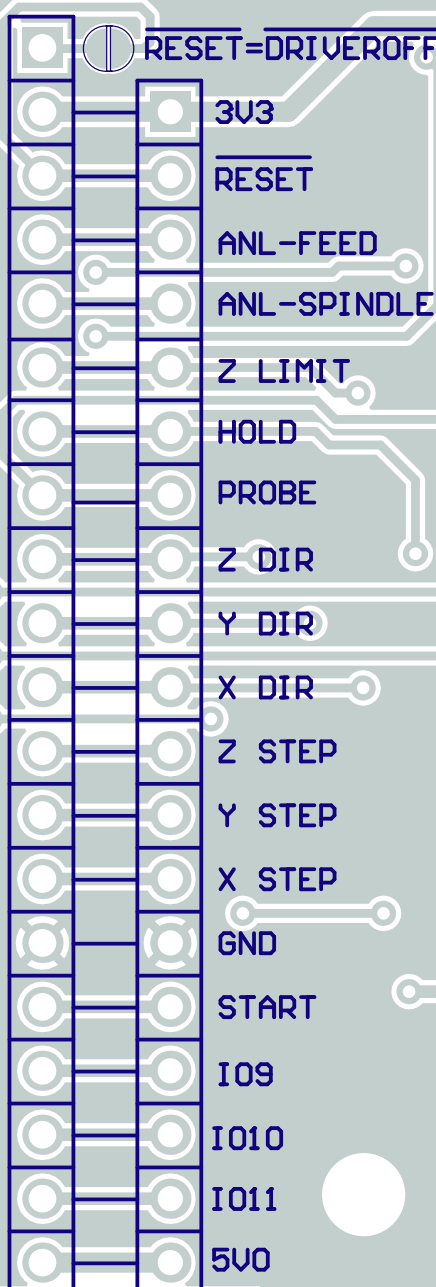
CLOSED=MIST/FLOOD IO
 OPEN =I2C BUS EXP.



ESP-WROOM-32 DEV KIT V4

or

ESP32 Patch adapter board



DISCLAIMER:

IN NO EVENT SHALL THE AUTHOR OF THIS BOARD BE LIABLE FOR ANY DIRECT, INDIRECT, CONSEQUENTIAL, INCIDENTAL OR SPECIAL DAMAGES, INCLUDING, WITHOUT LIMITATION, LOSS OF REVENUE, LOSS OF PROFITS, LOSS ARISING FROM INTERRUPTION OR LOSS OF DATA, REGARDLESS OF THE FORM OF ACTION OR LEGAL THEORY ON WHICH THE LIABILITY MAY BE EXERCISED, EVEN IF ADVISED OF THE POSSIBILITY OR LIKELIHOOD OF SUCH DAMAGES.

WARRANTY LIMITATIONS:

THIS HOBBY HARDWARE AND SOFTWARE PROJECT IS PROVIDED AS IS AND AS AVAILABLE FOR YOUR USE. THERE IS NO PROVIDED WARRANTY OF ANY KIND, NEITHER EXPRESS NOR IMPLIED, IN CONNECTION TO ITS FUNCTIONS, OPERABILITY OR USE, INCLUDING, WITHOUT LIMITATION, THE IMPLIED WARRANTIES OF MERCHANTABILITY, FITNESS FOR A PARTICULAR PURPOSE OR NONINFRINGEMENT.

